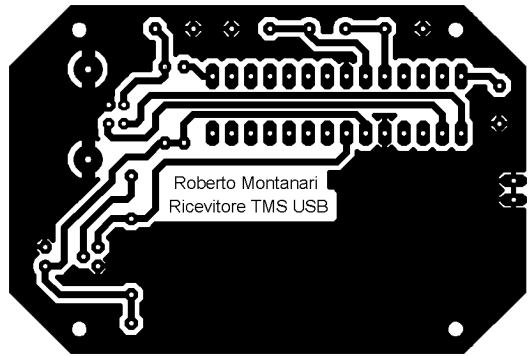
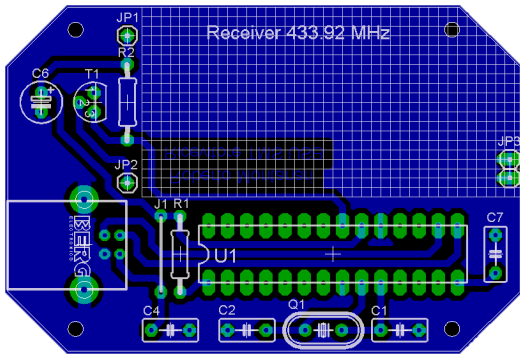


# TMS USB RECEIVER



## PARTS LIST:

### Jumpers:

J1 = Jumper

### Resistors:

R1 = 10K $\Omega$  ¼W

R2 = 10K $\Omega$  ¼W

### Capacitors:

C1 = 22pF (ceramic)

C2 = 22pF (ceramic)

C4 = 100nF

C7 = 470nF

### Electrolytic capacitors:

C6 = 100 $\mu$ F 25V

### Transistors:

T1 = BC547B (or equivalent i.e. 2N5818)

### Connectors:

X1 = USB Type B 90° connector

### Quartz crystals:

Q1 = 8Mhz

### IC sockets:

U1 = 28 pin narrow

### ICs:

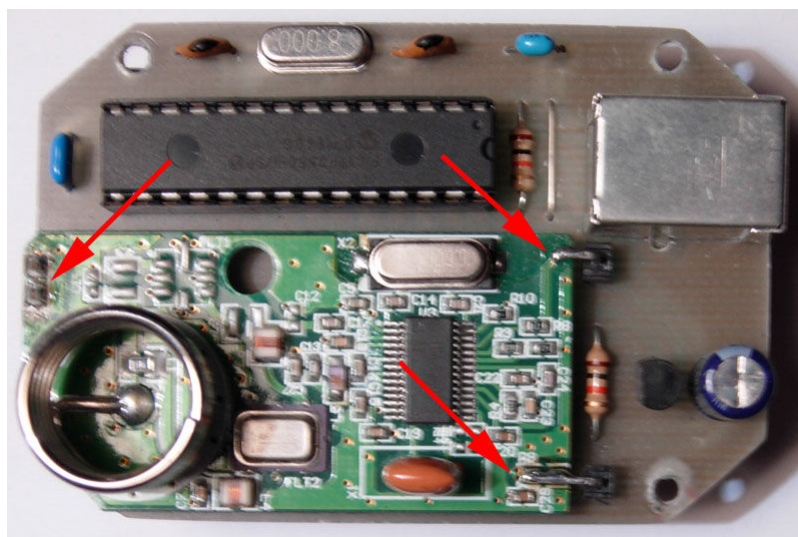
U1 = Programmed PIC 18F2550

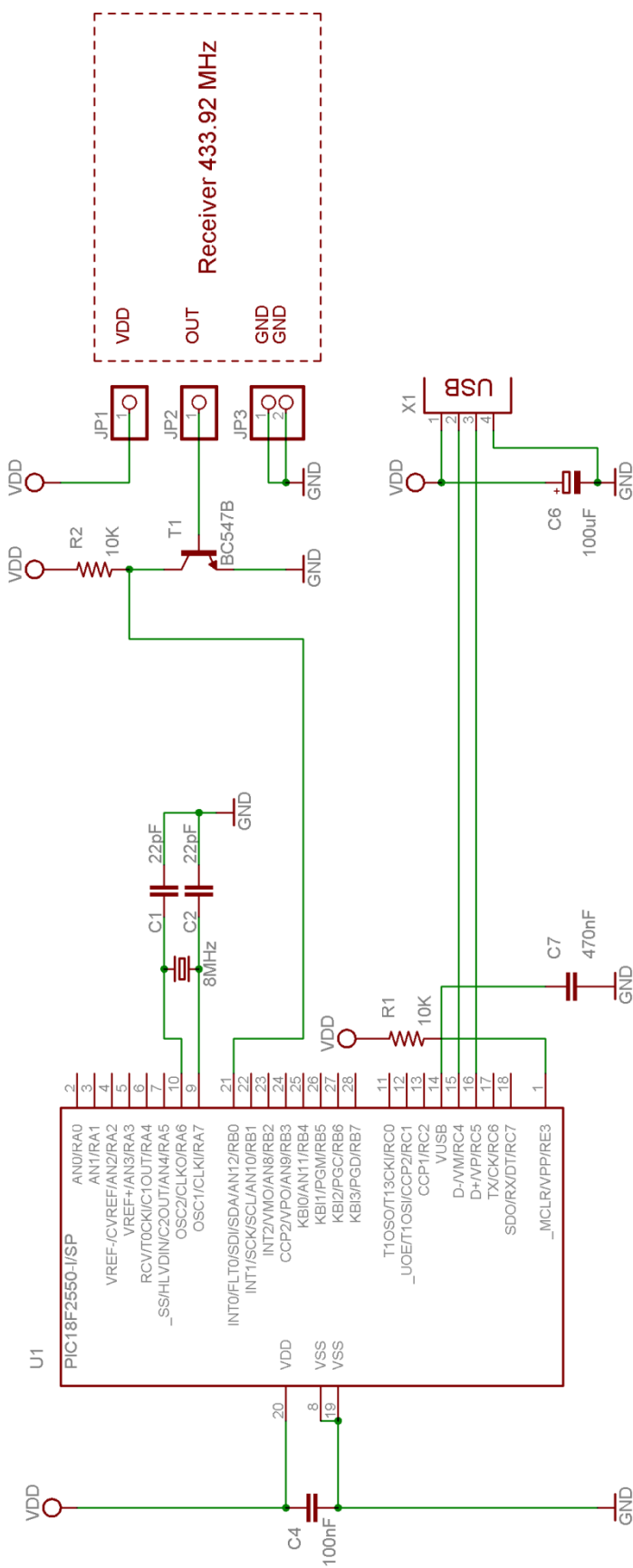
### Headers:

JP1 = 1 pin 90°

JP2 = 1 pin 90°

JP3 = 2 pin





Roberto Montanari

TITLE: Ricevitore TMS USB

Document Number:

REV:  
1.00

Date: 29/11/2007 16.59.21

Sheet: 1/1